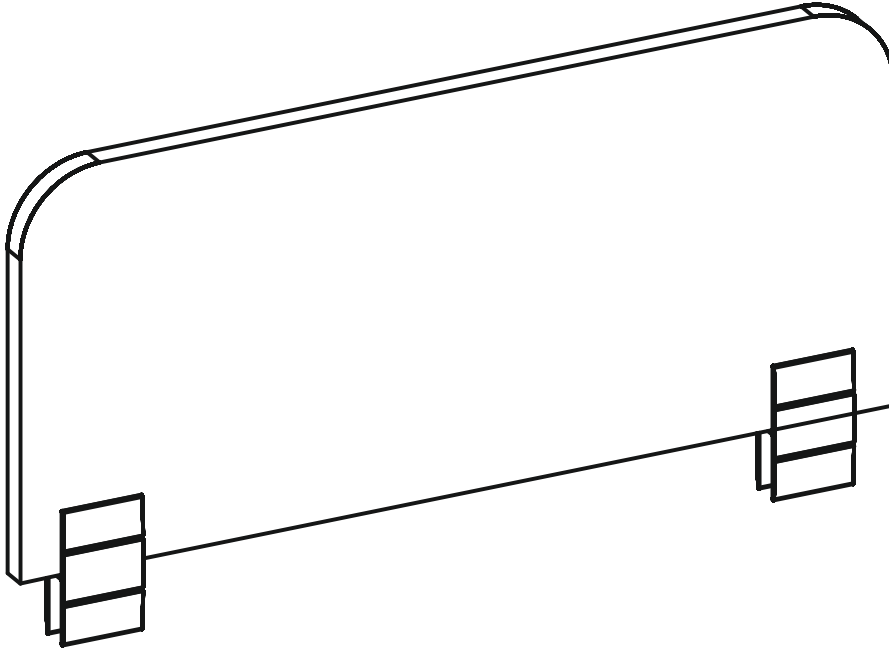
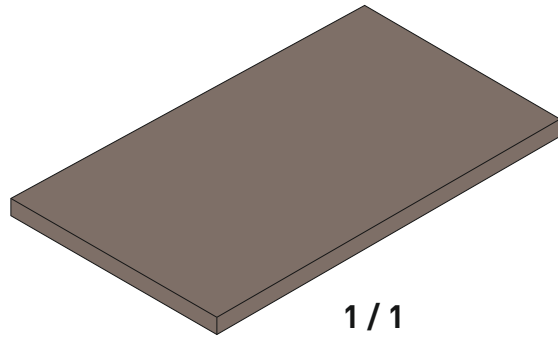
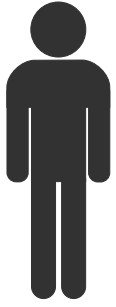


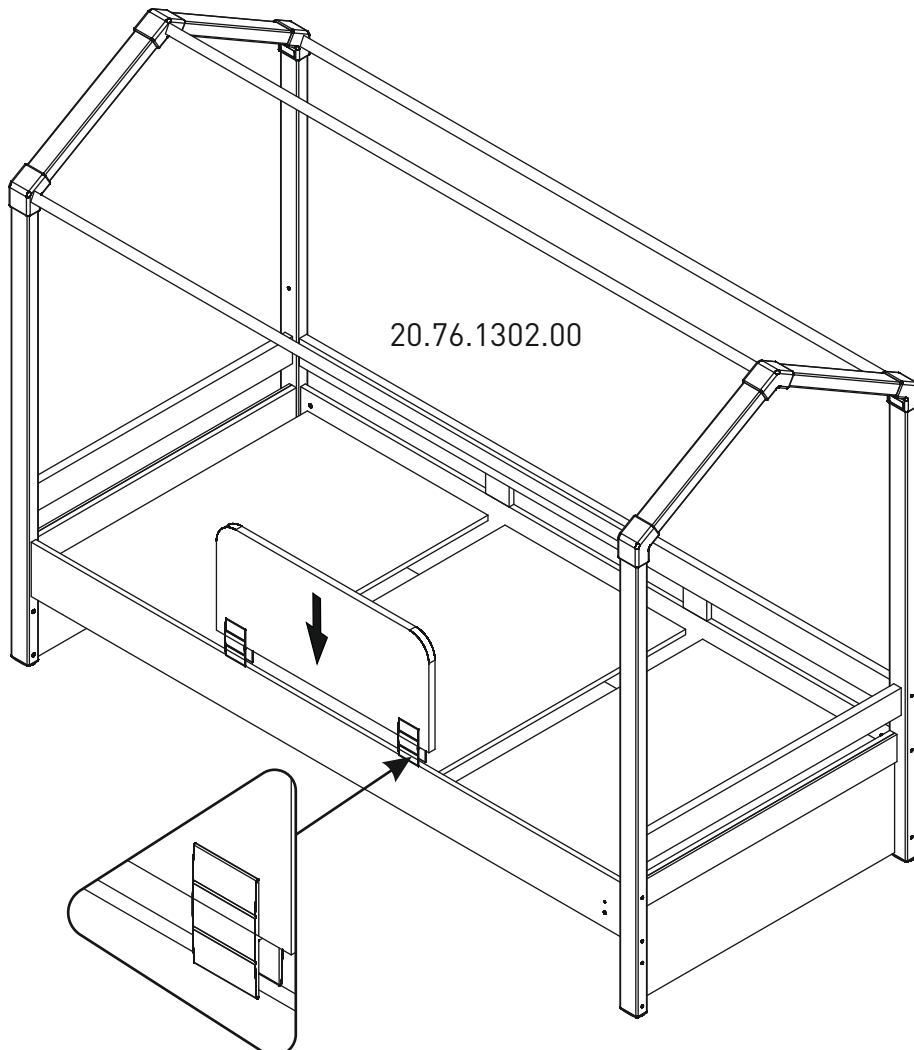
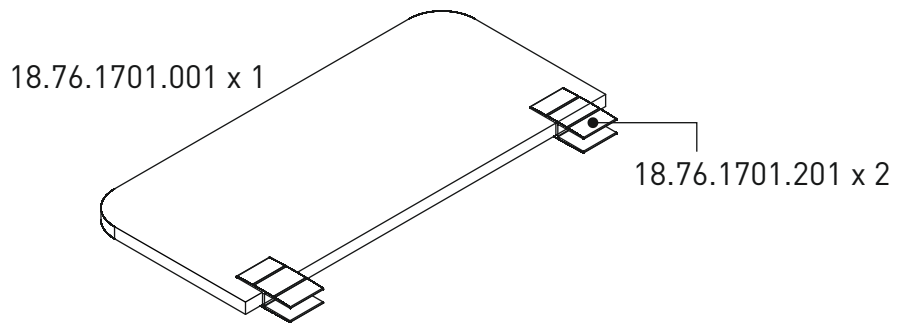
20.76.1701.00





1 / 1

1 / 1



1

