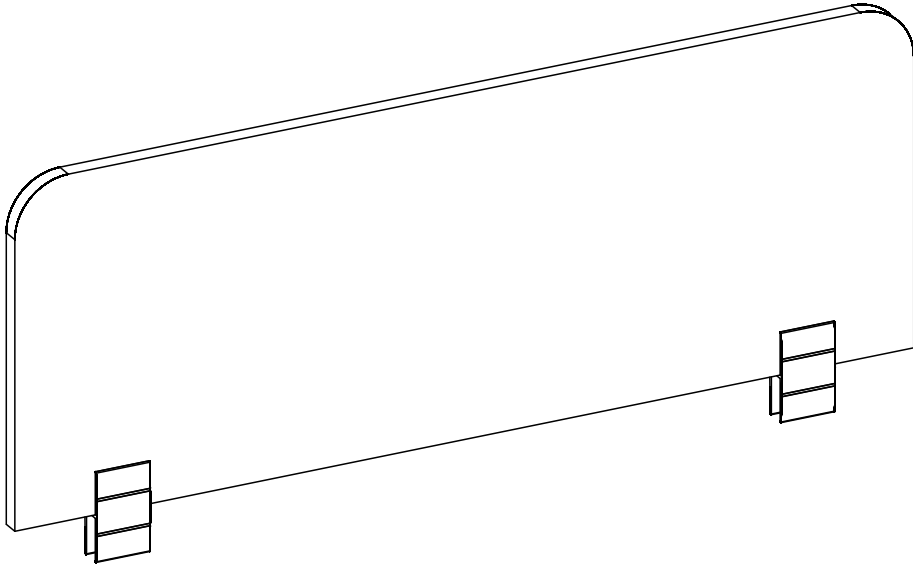
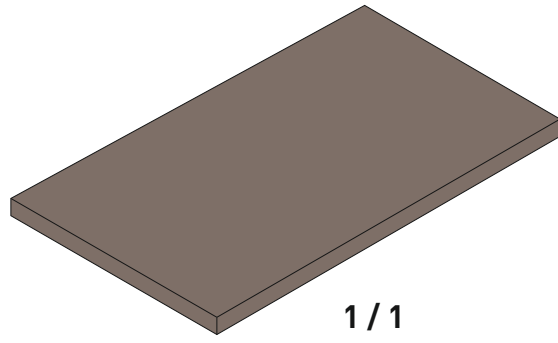


20.80.1702.00



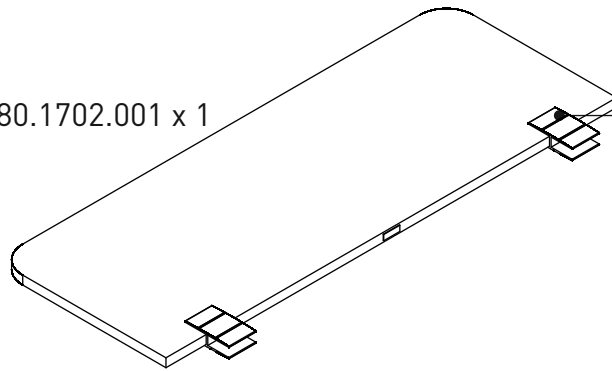


1/1

1/1

18.80.1702.001 x 1

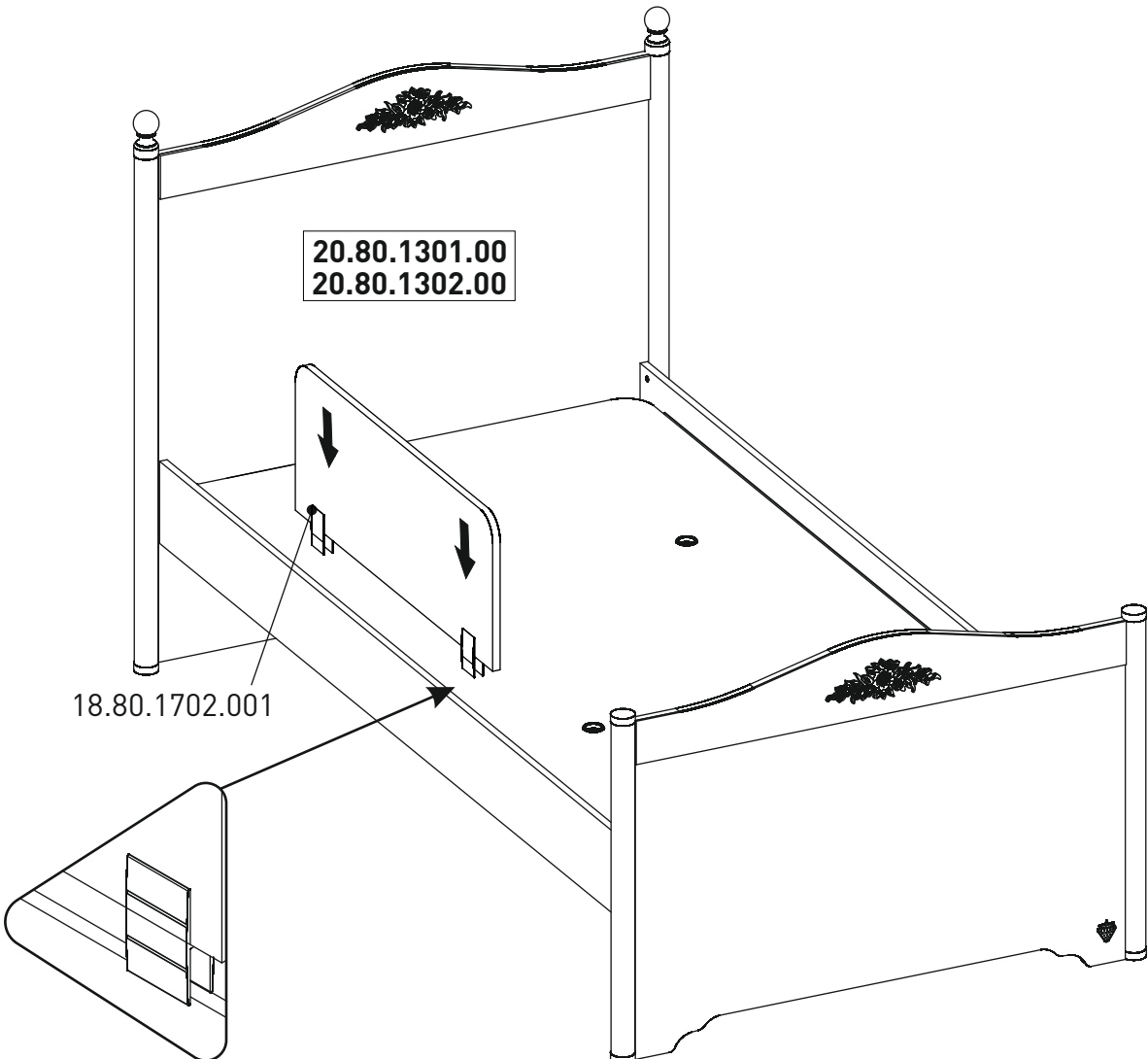
18.80.1702.201 x 2



20.80.1301.00
20.80.1302.00

1

18.80.1702.001



2

